



MODERN LINE



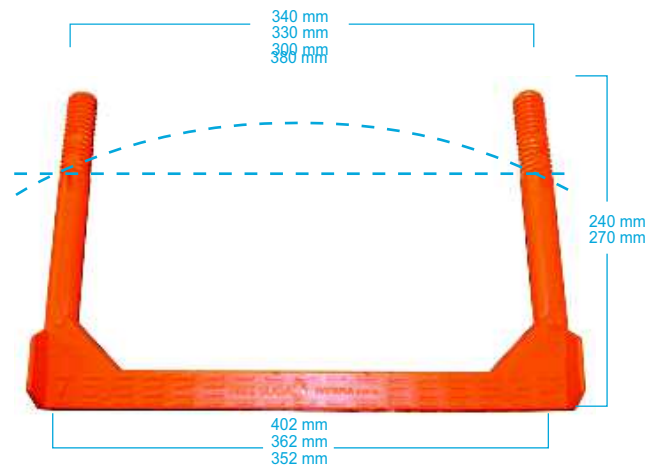
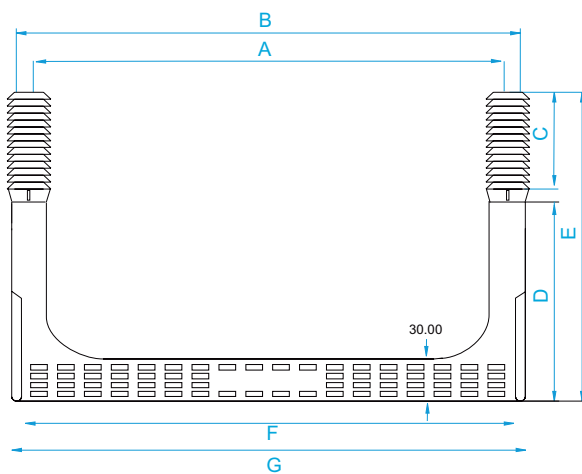
Characteristics

- All the Classic Line characteristics.
- Ergonomic design with slip proof grooves.
- Doser grooves for chemical plugs.
- Same step for curved and straight. manholes to minimize stock.
- Crash limit for a perfect fit.
- Customizable anti-slip floor.

Installation

Drill two holes with a heavy hammer drill (85mm. depth), using a 25mm ø broach. The distance between the center of the holes is 330, 320 or 300mm depending on model).

Introduce the Pate hitting alternatively in both sides of it with a big size nylon hammer.



Modelo/ model	Medidas/ measures							Embalaje/ package	Color/ colour
	A	B	C	D	E	F	G		
340 C-R Plus	340	367	80	190	270	349,77	362	Palet 1000 uds./units	naranja / orange
330 C-R Plus	330	357	80	190	270	339,77	352	Palet 1000 uds./units	naranja / orange
300 C-R Plus	300	327	80	190	270	309,77	322	Palet 1000 uds./units	naranja / orange
340 C-R	340	367	80	160	240	349,77	362	Palet 1000 uds./units	naranja / orange
330 C-R	330	357	80	160	240	339,77	352	Palet 1000 uds./units	naranja / orange
300 C-R	300	327	80	160	240	309,77	322	Palet 1000 uds./units	naranja / orange