



## ANCHORABLE MANHOLE STEPS

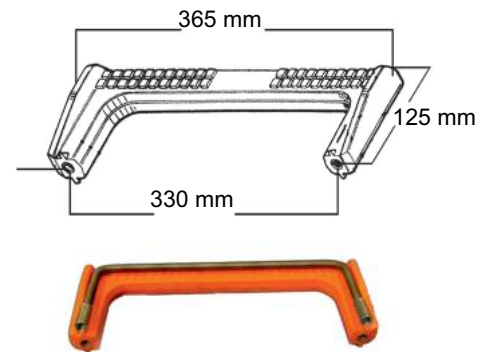


### Characteristics

The ANCHORABLE STEP ®PATE SUGAR is a step made of 100% virgin polypropylene copolymer with galvanized steel rod or ø12mm stainless steel rod. It has an insertable section with threaded bushes to install with M 12 screws.

Our ANCHORABLE STEP adapts to all applications, is insulating and waterproof and serves both straight and curved walls. The most common uses, among many others, are:

- Water or gas conduits.
- Fiberglass, PVC or even concrete manholes.
- Containers and boxes of trucks, cisterns and tippers.
- Fiberglass and iron silos.
- Different structures of wood or iron



### Installation

The assembly is as simple as making two metric holes of ø12mm, choose the M 12 screws suitable for your needs and thread them from 15 to 20 mm into the bushing. Take into account the additional thickness of the surface on which the step is to be installed.

The neoprene washers ensure the tightness of the anchorable step.

The steel washers ensure a perfect grip.



Modelo / model	
INSERTABLE ACERO ZINCADO	Caja/box 35uds./units
INSERTABLE INOX AISI-304	Caja/box 35uds./units
ARANDELA NEOPRENO / Neoprene washers	Caja/box 70uds./units
ARANDELA ACERO / Steel washers	Caja/box 70uds./units
CUÑA - CURVATURA DE POZOS / Curved wedge	Caja/box 70uds./units



**ANCHORABLE MANHOLE STEPS**



Installation Examples

