



CLASSIC LINE



Characteristics

Pate Sugar is manufactured with non-recycled polypropylene copolymer and high-quality steel (hardness tensile 65 kg/ mm²) to ensure durability and long life of the step.

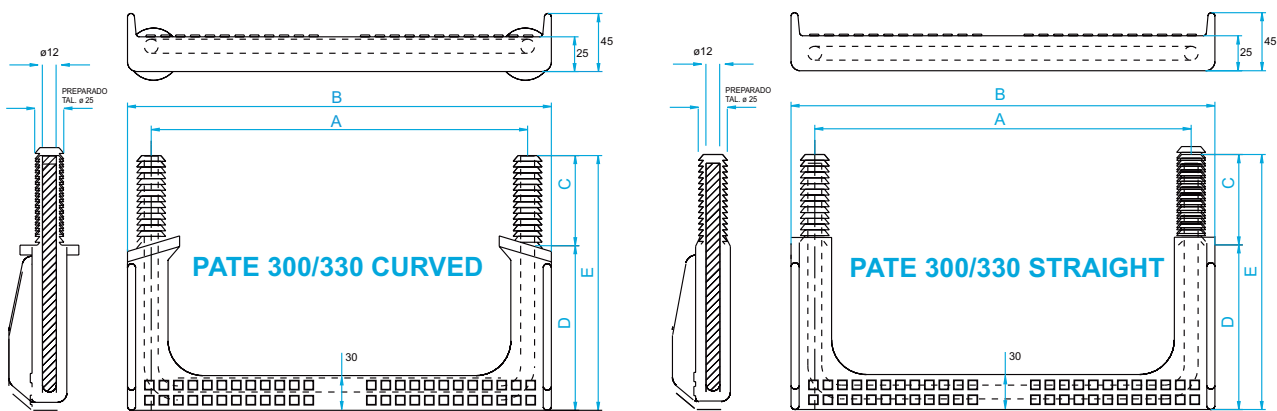
It's the only step on the market that complies with and surpasses the European norm EN 13101, American norms ASTM C-478 and C-497 and German norm DIN 19555.

Manufactured in classic models: Curved or Straight.

Installation

Drill two holes with a heavy hammer drill (85mm. depth), using a 25mm ø broach. Introduce the Pate hitting alternatively in both sides of it with a big size nylon hammer.

The



Modelo/ model	Medidas/ measures					Embalaje/ package	Color/ colour
	A	B	C	D	E		
300 recto	300	340	80	160	240	Palet 1000 uds./units	naranja / orange
300 curvo	300	340	80	160	240	Palet 1000 uds./units	naranja / orange
330 recto	330	370	80	140	220	Palet 1000 uds./units	naranja / orange
330 curvo	330	370	80	140	220	Palet 1000 uds./units	naranja / orange
330 recto taco Barna	330	370	100	120	220	Palet 1000 uds./units	naranja / orange
330 recto largo taco 100	330	370	100	140	240	Palet 1000 uds./units	naranja / orange
330 curvo largo taco 100	330	370	100	140	240	Palet 1000 uds./units	naranja / orange